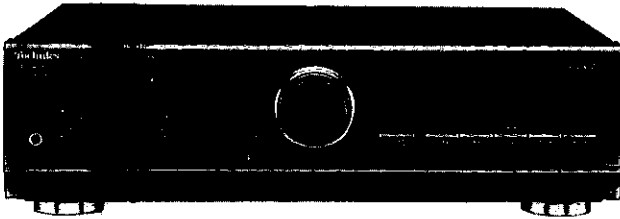


Service Manual

Amplifier



SU-V300M2

Colour

(K).....Black Type

Areas

E.....Europe.

EG.....Germany and Italy, etc.

EB.....Great Britain.

Specifications

■ MAIN AMP SECTION

Power output (at power supply 240V)

40 Hz-20 kHz continuous power

output both channel driven: 2×27W(8Ω)

1 kHz continuous power output both

channel driven (THD 1%): 2×33W(8Ω)

2×40W(4Ω)

63 Hz-12.5 kHz continuous power output both

channel driven (THD 1%): 2×30W(8Ω)

2×35W(4Ω)

Total harmonic distortion

rated power at 20 Hz-20kHz: 0.1%(8Ω)

Intermodulation distortion (50 Hz: 7 kHz=4:1, SMPTE)

rated power: 0.1%(8Ω)

Residual hum and noise:

1mV

Damping factor:

60(8Ω)

30(4Ω)

Headphones output level/impedance:

240mV/47Ω

Load impedance

A or B: 4-16Ω

A and B: 8-16Ω

■ PRE AMP SECTION

Input sensitivity/impedance

PHONO MM: 2.5mV/47kΩ

TUNER, CD, AUX, TAPE 1, TAPE 2: 150mV/22kΩ

PHONO maximum input voltage(1 kHz,RMS)

MM 150mV(IHF'66)

S/N (Rated power 4Ω)

PHONO MM: 76dB (76dB, IHF'66)

TUNER, CD, AUX, TAPE 1, TAPE 2: 90dB(76dB,IHF'66)

S/N at -26 dB power (4Ω)

PHONO MM: 67dB

TUNER, CD, AUX, TAPE 1, TAPE 2: 70dB

S/N at 50mW(4Ω)

PHONO MM: 63dB

TUNER, CD, AUX, TAPE 1, TAPE 2: 63dB

Frequency Response

PHONO MM: RIAA standard curve ±1dB
(30Hz-15kHz)

TUNER, CD, AUX, TAPE 1, TAPE 2: +0, -3dB (3 Hz-60 kHz)

+0, -0.3dB (20 Hz-20 kHz)

Tone controls

BASS: 50 Hz, +10 to -10dB

TREBLE: 20 kHz, +10 to -10dB

Output voltage

TAPE 1, TAPE 2 REC OUT: 150mV

Channel balance (AUX, 250Hz-6.3kHz): ±1dB

Channel separation (AUX,1 kHz): 50dB

■ GENERAL

Power supply

For (EB): AC50 Hz/60 Hz, 230-240V

For (E)(EG): AC50 Hz/60 Hz, 230V

Power consumption: 110W

Dimensions (W×H×D): 430×125×310mm

Weight: 5.4kg

Notes:

1. Specifications are subject to change without notice.

Weight and dimensions are approximate.

Technics®

© 1999 Matsushita Electric Industrial Co., Ltd.
All rights reserved. Unauthorized copying and
distribution is a violation of law.

3 Caution for AC Main Lead (For United Kingdom)

("EB" area code model only)

For your safety, please read the following text carefully.

This appliance is supplied with a moulded three pin mains plug for your safety and convenience.

A 5-ampere fuse is fitted in this plug.

Should the fuse need to be replaced please ensure that the replacement fuse has a rating of 5-ampere and that it is approved by ASTA or BSI to BS1362.

Check for the ASTA mark  or the BSI mark  on the body of the fuse.

If the plug contains a removable fuse cover you must ensure that it is refitted when the fuse is replaced.

If you lose the fuse cover the plug must not be used until a replacement cover is obtained.

A replacement fuse cover can be purchased from your local dealer.

CAUTION!

IF THE FITTED MOULDED PLUG IS UNSUITABLE FOR THE SOCKET OUTLET IN YOUR HOME THEN THE FUSE SHOULD BE REMOVED AND THE PLUG CUT OFF AND DISPOSED OF SAFELY.

THERE IS A DANGER OF SEVERE ELECTRICAL SHOCK IF THE CUT OFF PLUG IS INSERTED INTO ANY 13-AMPERE SOCKET.

If a new plug is to be fitted please observe the wiring code as shown below.

If in any doubt please consult a qualified electrician.

IMPORTANT

The wires in this mains lead are coloured in accordance with the following code:

Blue: Neutral, Brown: Live.

As these colours may not correspond with the coloured markings identifying the terminals in your plug, proceed as follows:

The wire which is coloured Blue must be connected to the terminal which is marked with the letter N or coloured Black or Blue.

The wire which is coloured Brown must be connected to the terminal which is marked with the letter L or coloured Brown or Red.

WARNING: DO NOT CONNECT EITHER WIRE TO THE EARTH TERMINAL WHICH IS MARKED WITH THE LETTER E, BY THE EARTH SYMBOL \perp OR COLOURED GREEN OR GREEN/YELLOW.

THIS PLUG IS NOT WATERPROOF & KEEP DRY.

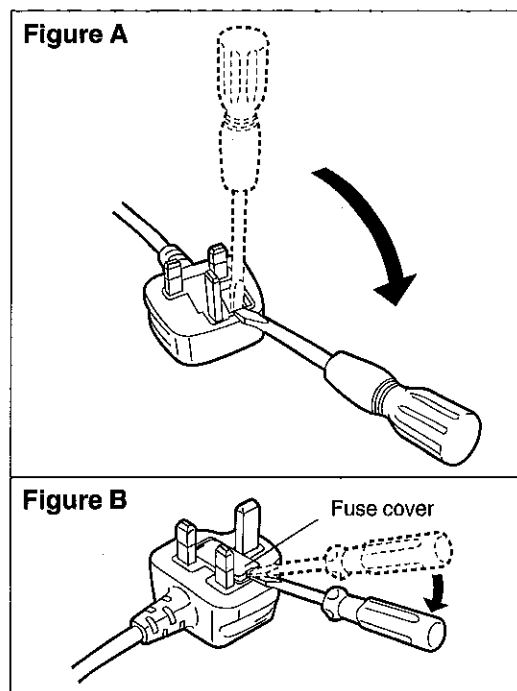
Before use

Remove the connector cover.

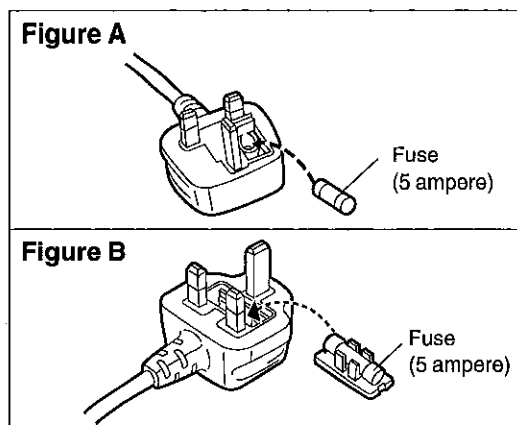
How to replace the fuse

The location of the fuse differ according to the type of AC mains plug (figures A and B). Confirm the AC mains plug fitted and follow the instructions below. Illustrations may differ from actual AC mains plug.

1. Open the fuse cover with a screwdriver.



2. Replace the fuse and close or attach the fuse cover.



Connecting speakers and the power supply

Connecting the speakers

A

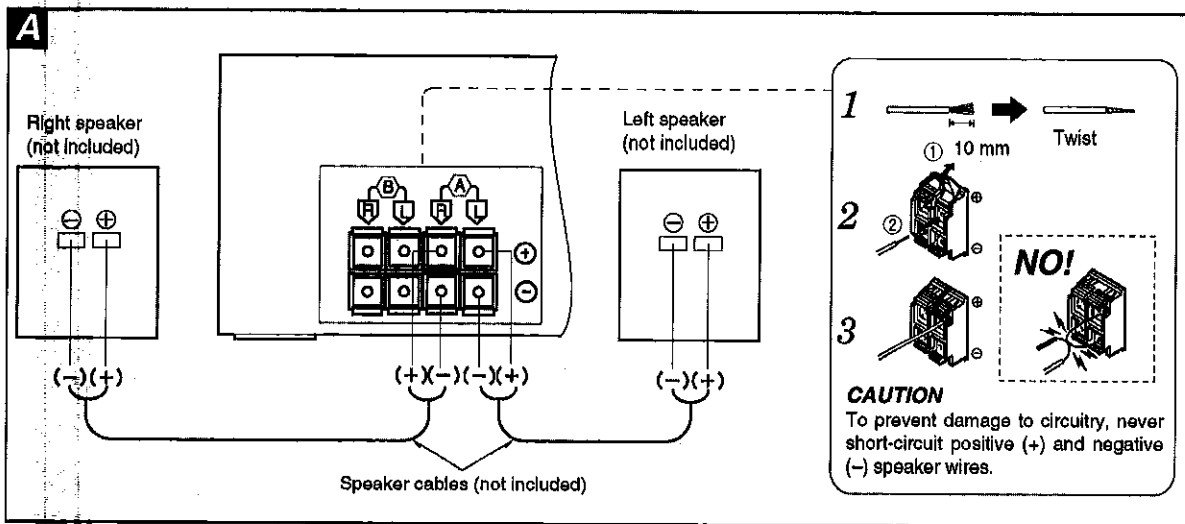
Be sure to only connect positive (+) wires to positive (+) terminals, and negative (-) wires to negative (-) terminals.

[B] terminals

For connection to a second pair of speakers.

Speaker Impedance

- When only the [A] or only the [B] terminals are used: 4–16 ohms
- When both the [A] and the [B] terminals are used simultaneously: 8–16 ohms



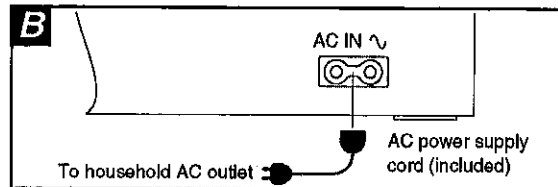
Connecting the AC power supply cord

B

(For United Kingdom)

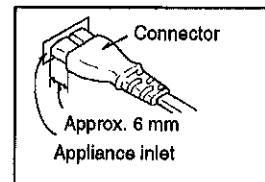
BE SURE TO READ THE CAUTION FOR THE AC MAINS LEAD BEFORE CONNECTION.

Connect the AC power supply cord only after all other connections have been made.



Insertion of Connector

Even when the connector is perfectly inserted, depending on the type of inlet used, the front part of the connector may jut out as shown in the drawing. However there is no problem using the unit.



Listening to sound

Before operation, set [VOLUME] to the [MIN] position.

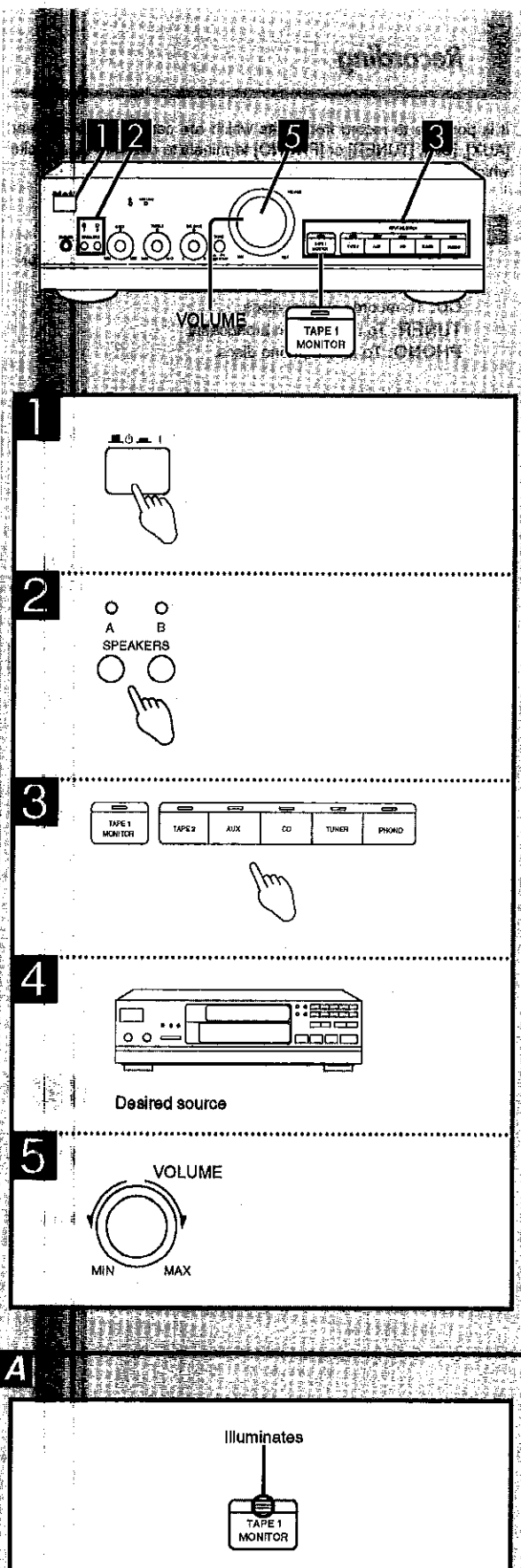
- 1** Press to switch on the power.
The corresponding indicator will illuminate.
- 2** Press [A] and/or [B] to select the speaker system(s) to be used.
The corresponding indicator(s) will illuminate.
- 3** Press to select the desired source.
The corresponding indicator will illuminate.
 - TAPE 1 MONITOR:** To listen to tape (TAPE 1). The tape monitor indicator will illuminate. (See below.)
 - TAPE 2:** To listen to tape (TAPE 2).
 - AUX:** To listen to equipment connected to the [AUX] terminals.
 - CD:** To listen to compact discs.
 - TUNER:** To listen to radio broadcasts.
 - PHONO:** To listen to phono discs.
- 4** Start the desired source.
(Refer to the appropriate operating instructions for details.)
- 5** Turn [VOLUME] to adjust the volume level.

After listening is finished

Be sure to reduce the volume level, and turn the unit off by pressing the unit on/off button.

When tape 1 monitor indicator illuminates **A**

This indicates that the tape monitor function of this unit is ON. To listen to sources other than a tape [TAPE 1], be sure to turn off the indicator by pressing [TAPE 1 MONITOR].



Troubleshooting guide

Before requesting service for this unit, check the chart below for a possible cause of the problem you are experiencing. Some simple checks or a minor adjustment on your part may eliminate the problem and restore proper operation.

If you are in doubt about some of the check points, or if the remedies indicated in the chart do not solve the problem, refer to the directory of Authorized Service Centers (enclosed with this unit) to locate a convenient service center, or consult your dealer for instructions.

Problem	Probable cause(s)	Suggested remedy
Common problems		
No sound is heard when the power is switched ON.	The power cord plug is not completely inserted.	• Confirm that the power cord plug is connected completely.
	Connections to the speakers, etc. are incomplete or incorrect.	• Check that all wires are correctly connected.
	The source hasn't been selected.	• Press the selector button.
	The speakers haven't been selected.	• Press a speaker button (A or B).
	The tape monitor function is on. (TAPE 1 MONITOR indicator is illuminated)	• When listening to a source other than the tape deck (TAPE 1), press TAPE 1 MONITOR so that the indicator is switched off.
When listening to stereo sound, the sound lacks depth (i.e. thin bass, tinny sound).	One of the speakers is connected out of phase [(+) → (-), (-) → (+)].	• Reconnect the speakers maintaining proper polarity [i.e., (+) → (+), (-) → (-)].
When listening to stereo sound, the left and right sounds are reversed.	The left and right speaker connections, source connections, or graphic equalizer connections are reversed.	• Check all connections and correct them if necessary.
A low-pitched noise ("hum" or "buzz") is heard.	The power cord or a fluorescent light, etc., is near the connection wires.	• Try separating this unit as far as possible from the electric appliance.
Sound is not heard from one of the speakers.	The speaker wires are disconnected.	• Check and correct the connections of the speaker wires.
	The balance control is set too far to one side.	• Set so that sounds are heard at the center, between the speakers.
Sound stops during a performance, or no sound is heard when the power is switched ON.	The protection circuitry has functioned because the positive and negative speaker connection wires are "shorted", speakers with an impedance less than the indicated rated impedance of the amplifier are used.	• Switch OFF the power, and, after determining and correcting the cause, switch ON the power once again. • Use speakers of the proper impedance rating.

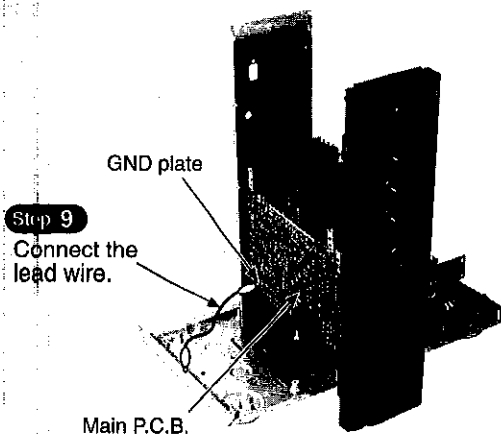
Maintenance

To clean this unit, wipe with a soft, dry cloth.

If the surfaces are extremely dirty, use a soft cloth dipped in a soap-and-water solution or a weak detergent solution.

- Never use alcohol, paint thinner or benzine to clean this unit.
- Before using chemically impregnated cloth, read the instructions that came with the cloth carefully.

• Check the main P.C.B. as shown below.



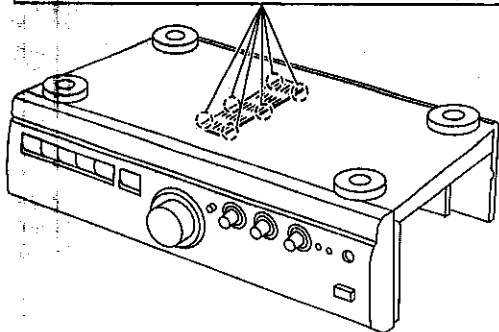
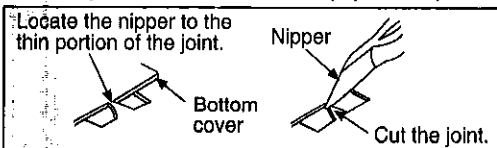
■ Main Component Replacement Procedures

1. Replacement for the power IC

• Follow the **Step 1** ~ **Step 3** of the item 1 in checking procedure for each P.C.B..

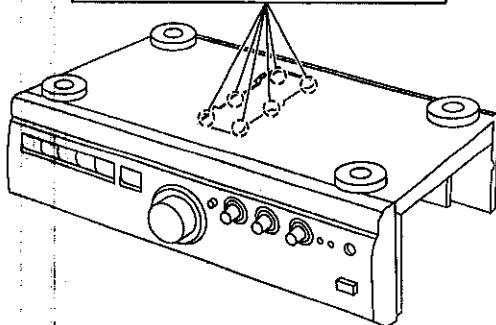
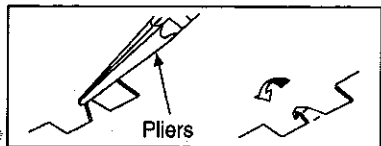
Step 1

Cut the joints as shown below. (6 portions)



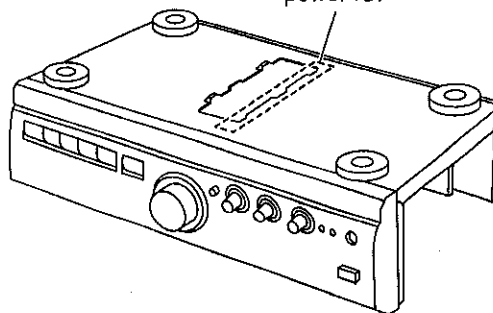
Step 2

Fold the joints. (6 portions)

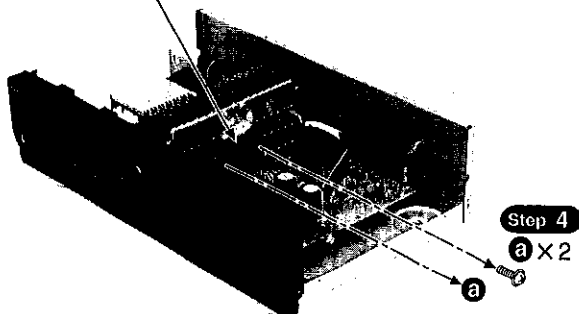


Step 3

Unsolder the terminals of power IC.



Power IC (IC601)
[RSN3502A]

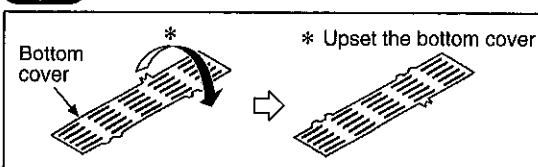


NOTE

1. After replacing the power IC, apply a sufficient quantity of compound grease (RFKX0002) between the heat sink and the power IC (Radiation of power IC).
2. Tighten enough the screws (a) after replacing the power IC. Otherwise, the heat radiation works little.

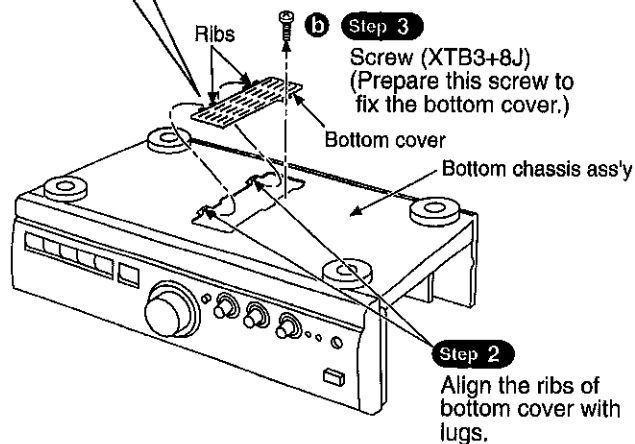
Installation of the bottom cover after replacement

Step 1



Step 3

Screw (XTB3+8J)
(Prepare this screw to fix the bottom cover.)



6 Schematic Diagram

6.1. Type Illustration of IC's, Transistors and Diodes

<p>M5218AP</p>	<p>M37470M2536S</p>	<p>AN6558F</p>	<p>UPC4570C 8PIN NJU7312AL 28PIN</p>	<p>RSN3502A</p>
<p>2SD2037EFTA</p>	<p>2SK330GRYTA</p>	<p>2SC3327ABTP</p>	<p>2SA1309AQTA 2SA1309ARTA 2SC3311ARTA 2SC3312RSTTA UN4111TA UN4211TA</p>	<p>LN014304P LN018304P</p> <p>Anode Cathode Ca</p>
<p>MA4150MTA MA4160MTA MA4240MTA</p> <p>Anode Ca Cathode</p>	<p>MA4051MTA MA4068LTA MA4075MTA</p> <p>Anode Ca Cathode</p>	<p>MA165TA MA167ATA 1SR35200TB</p> <p>Anode Ca Cathode</p>	<p>1SS291TA</p> <p>Anode Ca Cathode</p>	<p>P300DLF</p> <p>Anode Ca Cathode</p>

6.2. Schematic Diagram Notes

This schematic diagram may be modified at any time with the development of new technology.

Notes:

- **S401:** Tone control (TONE) switch.
- **S801:** Phono disc (PHONO) switch.
- **S802:** Radio broadcast (TUNER) switch.
- **S803:** Compact disc (CD) switch.
- **S804:** Aux (AUX) switch.
- **S805:** Tape2 (TAPE2) switch.
- **S806:** Tape1 (TAPE1 MONITOR) switch.
- **S807:** Power ON/STANDBY (POWER) switch. (in "ON" position)
- **S808:** Speaker select (SPEAKERS.A) switch.
- **S809:** Speaker select (SPEAKERS.B) switch.
- **VR471:** Bass (BASS) V.R.
- **VR472:** Treble (TREBLE) V.R.
- **VR501:** Volume (VOLUME) V.R.
- **VR502:** Balance (BALANCE) V.R.
- Indicated voltage values are the standard values for the unit measured by the DC electronic circuit tester (high-impedance) with the chassis taken as standard. Therefore, there may exist some errors in the voltage values, depending on the internal impedance of the DC circuit tester.

No mark: Power ON

Important safety notice:

Components identified by Δ mark have special characteristics important for safety.

Furthermore, special parts which have purposes of fire-retardant (resistors), high-quality sound (capacitors), low-noise (resistors), etc. are used.

When replacing any of components, be sure to use only manufacturer's specified parts shown in the parts list.

Caution!

- IC and LSI are sensitive to static electricity. Secondary trouble can be prevented by taking care during repair.
- Cover the parts boxes made of plastics with aluminum foil. Ground the soldering iron.
- Put a conductive mat on the work table.
- Do not touch the legs of IC or LSI with the fingers directly.

Voltage and signal line

- : Positive voltage line
- : Negative voltage line
- : Phono signal line
- : Rec out signal line

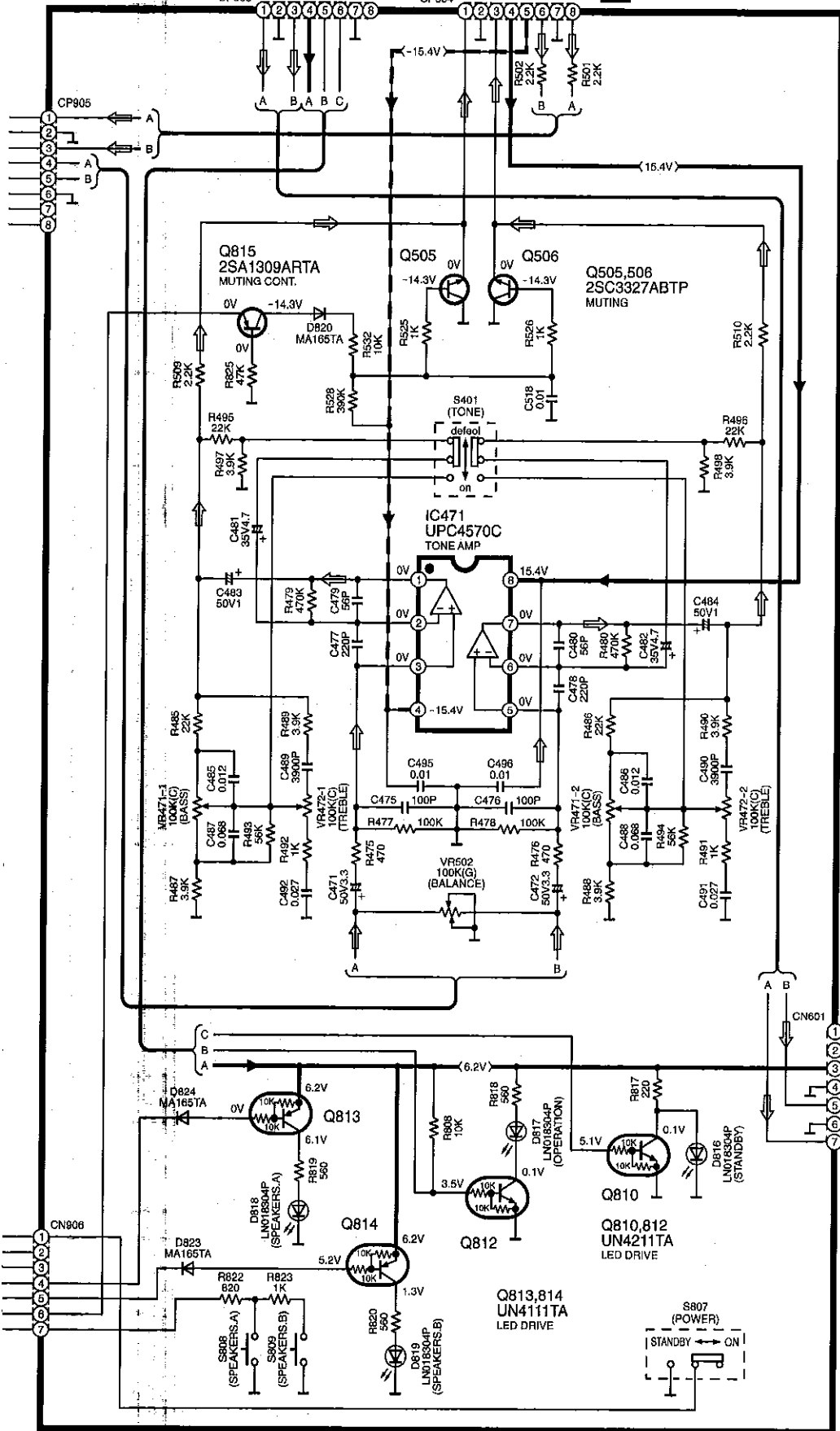
SCHEMATIC DIAGRAM-2

To **MAIN CIRCUIT (CN903)**
on SCHEMATIC DIAGRAM-3

To **MAIN CIRCUIT (CN904)**
on SCHEMATIC DIAGRAM-3

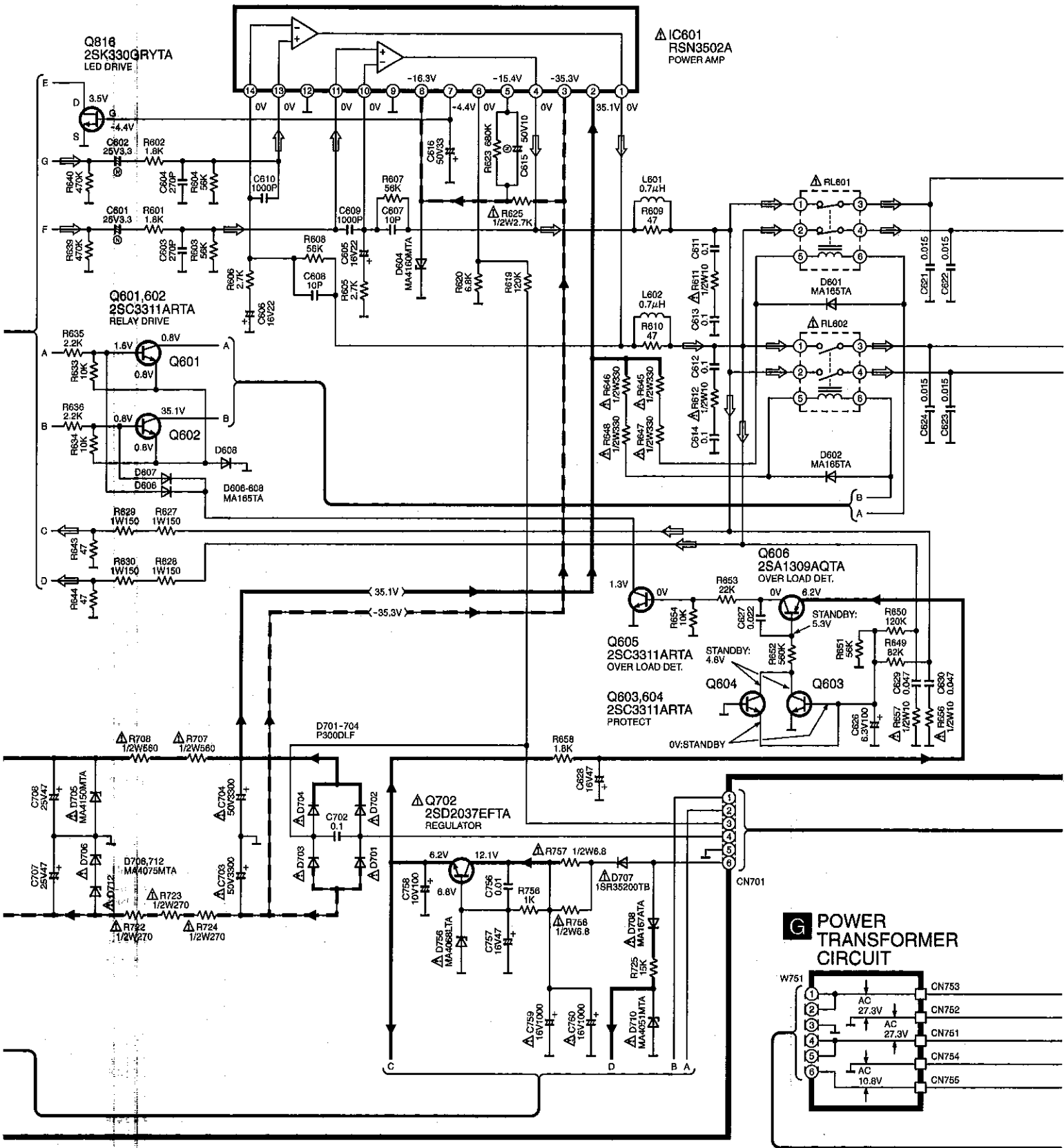
- ➔ : POSITIVE VOLTAGE LINE
- ➔ : NEGATIVE VOLTAGE LINE
- ⇨ : PHONO SIGNAL LINE

C TONE AMP CIRCUIT



SCHEMATIC DIAGRAM-4

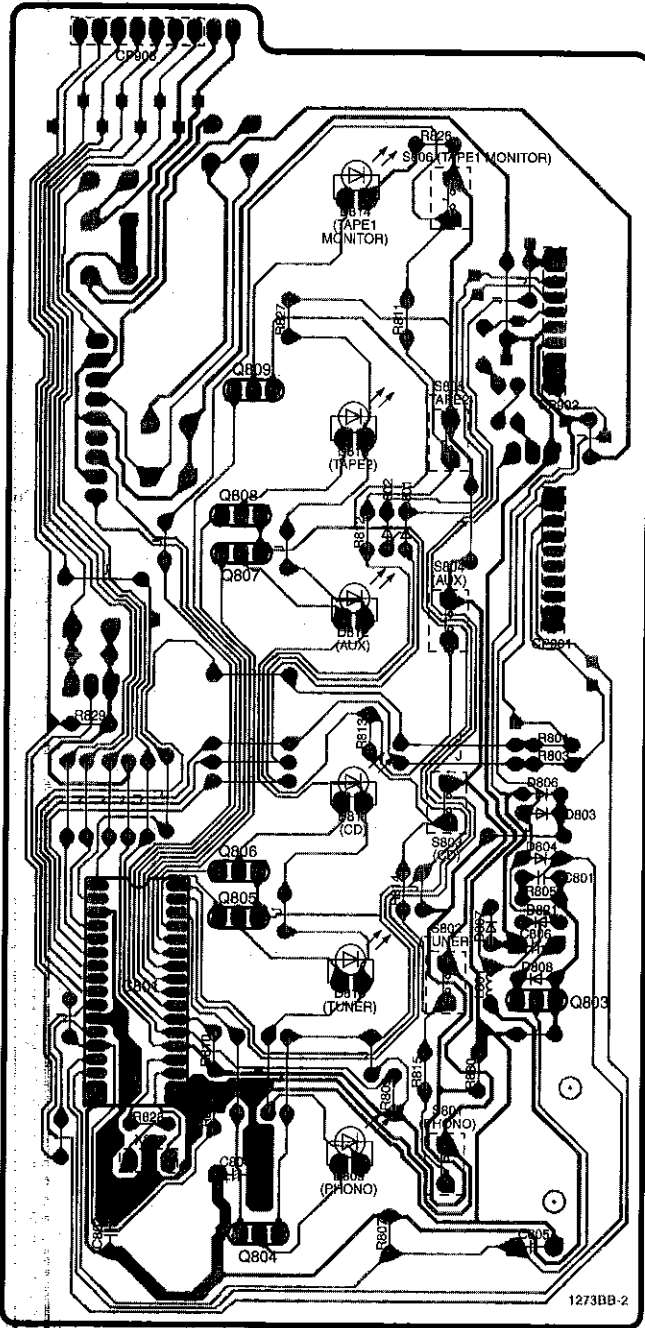
➔ : POSITIVE VOLTAGE LINE ➔ : NEGATIVE VOLTAGE LINE ⇨ : PHONO SIGNAL LINE



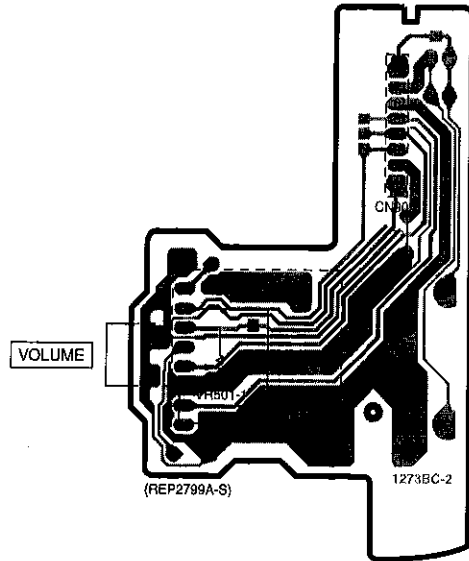
7 Printed Circuit Board Diagram



A OPERATION P.C.B.



B VOLUME P.C.B.



ELECTRICAL PARTS LOCATION

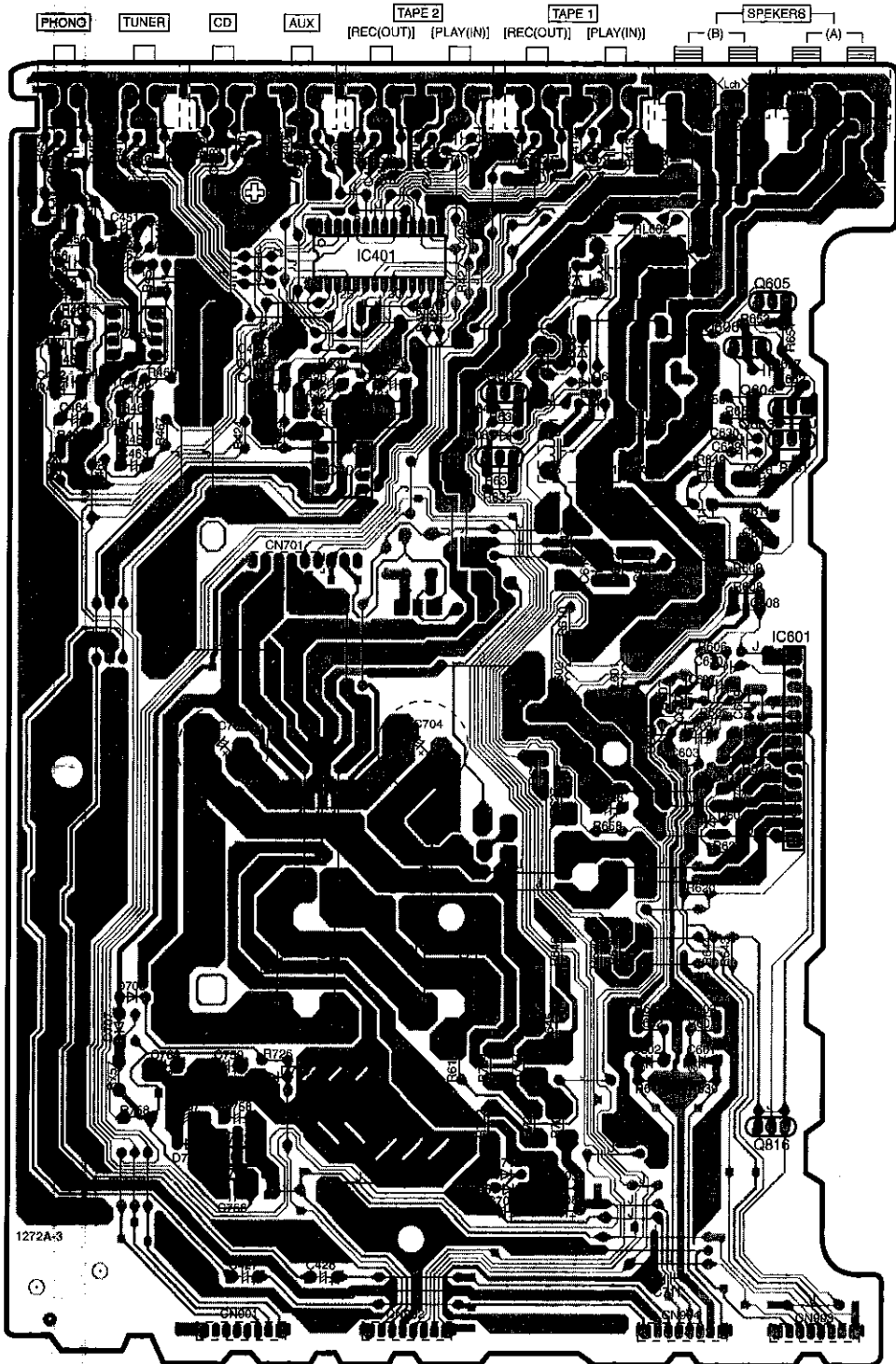
Ref. No.	Lo. No.	Ref. No.	Lo. No.
A OPERATION P.C.B.			
IC801	6A	S805	3C
Q803	6C	S806	2C
Q804	7B	CP901	4C
Q805	6B	CP902	3C
Q806	5B	CP906	2B
Q807	4B	R801	5C
Q808	4B	R803	5C
Q809	3B	R805	5C
D801	4C	R806	6B
D802	4C	R807	7C
D803	5C	R809	6C
D804	5C	R810	6B
D806	5C	R811	3C
D807	6C	R812	4C
D808	6C	R813	5C
D809	7B	R814	5C
D810	6B	R815	6C
D811	5B	R826	2C
D812	4B	R827	3B
D813	3B	R828	6B
D814	2B	R829	5A
D821	6C	R830	6C
L801	6C	C801	5C
X801	7B	C803	7A
S801	7C	C804	7B
S802	6C	C805	7C
S803	5C	C806	6C
S804	4C		
B VOLUME P.C.B.			
VR501-1	3E	CN905	2F
VR501-2	3E		

Note: This printed circuit board diagram may be modified at any time with the development of new technology.

A B C D E F

1
2
3
4
5
6
7
8

E MAIN P.C.B.

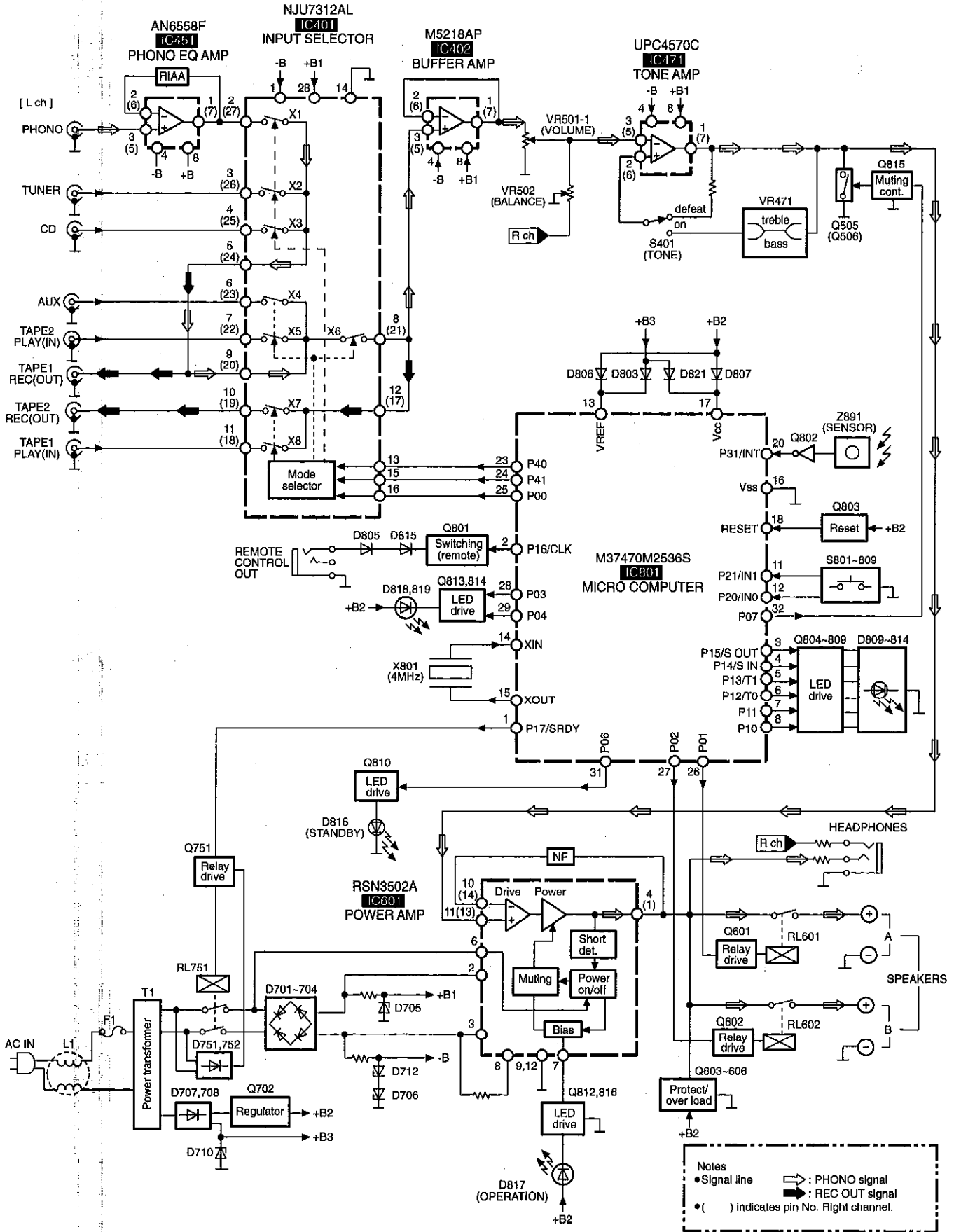


ELECTRICAL PARTS LOCATION

Ref. No.	Lo. No.	Ref. No.	Lo. No.	Ref. No.	Lo. No.
IC401	3C	R455	2A	C408	2B
IC402	4B	R456	2A	C409	2C
IC451	3A	R457	3A	C410	2C
IC601	5D	R458	3A	C411	2C
Q601	4C	R459	3A	C412	2C
Q602	3C	R460	3A	C413	2D
Q603	3D	R461	3A	C414	2D
Q604	3D	R462	3A	C415	2A
Q605	3D	R463	3A	C416	2A
Q606	3D	R464	3A	C417	2B
Q702	7B	R465	4A	C418	2B
Q816	7D	R466	3A	C419	2B
D601	3D	R467	3A	C420	2B
D602	3C	R468	4A	C421	3C
D604	5D	R601	6D	C422	3B
D606	3C	R602	6D	C425	3C
D607	3C	R603	6D	C426	3B
D608	3C	R604	6D	C427	7B
D701	6B	R605	5D	C428	7B
D702	6C	R606	4D	C451	2A
D703	6B	R607	5D	C452	2A
D704	6C	R608	4D	C455	3A
D705	7C	R609	4D	C456	3A
D706	7C	R610	4C	C457	3A
D707	6A	R611	4D	C458	3A
D708	6A	R612	4D	C459	3A
D710	6B	R619	6C	C460	3A
D712	7C	R620	6D	C461	3A
D756	7B	R623	5D	C462	3A
L601	5D	R625	5D	C463	4A
L602	5C	R627	5C	C464	3A
CN701	4B	R628	5C	C465	3A
CN901	8B	R629	6D	C466	3A
CN902	8C	R630	6D	C467	2A
CN903	8E	R633	4C	C468	2A
CN904	8D	R634	3C	C601	6D
JK401	2A	R635	4C	C602	6D
JK402	2B	R636	3C	C603	5D
JK403	2C	R639	6D	C604	5D
JK404	2C	R640	6D	C605	5D
JK601	2E	R643	6D	C606	5D
JK602	2D	R644	6D	C607	5D
E401A	2B	R645	6C	C608	4D
R401	2B	R646	6C	C609	5D
R402	2B	R647	4C	C610	4D
R405	2B	R648	3C	C611	4D
R406	2B	R649	4D	C612	4D
R407	2C	R650	4D	C613	4D
R408	2B	R651	4D	C614	4D
R409	2C	R652	3D	C615	5D
R410	2C	R653	3D	C618	5D
R411	2C	R654	3D	C621	2E
R412	2C	R656	3D	C622	2E
R413	2D	R657	3D	C623	2D
R414	2C	R658	5D	C624	2D
R415	2A	R707	6C	C625	2D
R416	2A	R708	7C	C626	4D
R423	3B	R722	7C	C627	3D
R424	3B	R723	7C	C628	5D
R425	3C	R724	6C	C629	3D
R426	3C	R725	6B	C630	3D
R427	3C	R756	7B	C702	4B
R429	3C	R757	7A	C703	5B
R430	3B	R758	7A	C704	5C
R431	3C	RL601	3D	C707	7C
R432	3B	RL602	3D	C708	7C
R449	2A	C401	3B	C711	7D
R450	2A	C402	3B	C756	7B
R451	2A	C403	3B	C757	7B
R452	2A	C404	3B	C758	7B
R453	2A	C405	2C	C759	6B
R454	2A	C407	2C	C760	6A

(REP2798A-M)

8 Block Diagram



10 Replacement Parts List

Notes:

* Important safety notice:

Components identified by Δ mark have special characteristics important for safety.

Furthermore, special parts which have purposes of fire-retardant (resistors), high-quality sound (capacitors), low-noise (resistors), etc. are used.

When replacing any of components, be sure to use only manufacture's specified parts shown in the parts list.

* The parenthesized indications in the Remarks columns specify the areas. (Refer to the cover page for area.)

Parts without these indications can be used for all areas.

* Capacity values are in microfarads (μ F) unless specified otherwise, P=Pico-farads(pF), F=Farads (F)

* Resistance values are in ohms, unless specified otherwise, 1K=1,000 (OHM), 1M=1,000K (OHM)

* "<IA>, <IB>, <IC>, <ID>, <IE>" marks in Remarks indicate language of instruction manual.

[<IA>:English/Spanish/Swedish,<IB>:Russian/Polish/

Czeco,<IC>:German/Italian/French,<ID>:Dutch/Danish,

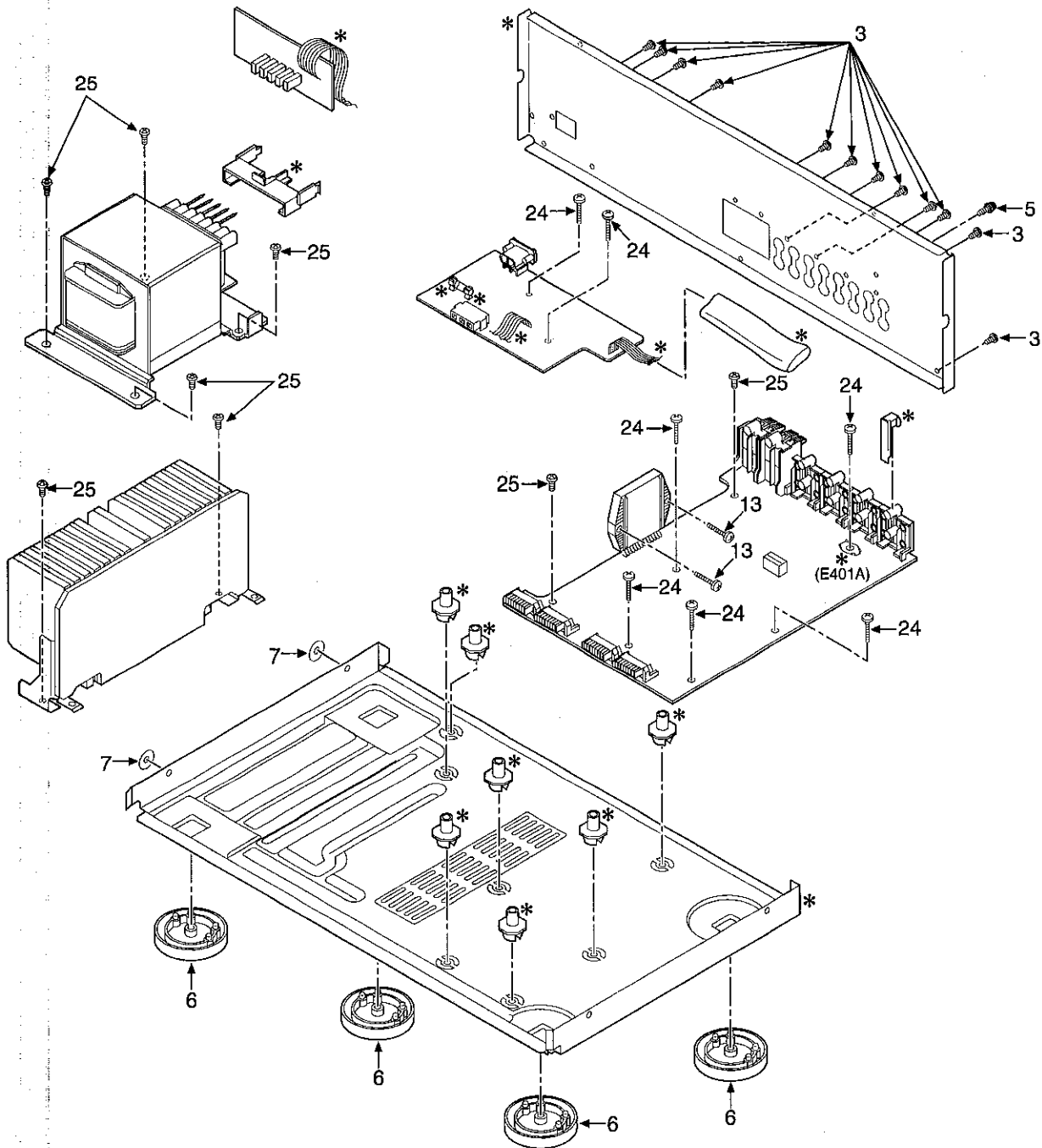
<IE>: English]

10.1. Replacement Parts List

Ref. No.	Part No.	Part Name & Description	Pcs	Remarks
1	RHD30035-K1	SCREW	4	
2	RKM0036D-K	CABINET	1	
3	XTB3+8JFZ1	SCREW	17	
4	RGW0201-K	VOLUME KNOB	1	
5	RHD30070	SCREW	1	
6	RKA0053-A	FOOT	4	
7	RMG0332-K	RUBBER	2	
8	RQP0389G-K	FRONT PANEL	1	
9	RQE0031-A	TECHNICS BADGE	1	
10	RGL0184A-Q1	LEADING LIGHT PANEL (1)	1	
11	RGL0185A-Q	LEADING LIGHT PANEL (2)	1	
12	RGL0229-Q	LEADING LIGHT PANEL (3)	1	
13	XTW3+15T	SCREW	2	
14	RGU0887A-K1	BUTTON	1	
15	RGU0889-K	BUTTON	1	
16	RGU1038A-K	BUTTON	1	
17	RGU1685-K	BUTTON	1	
18	RGW0177A-K	TONE KNOB	3	
19	RHD26017	SCREW	11	
20	RHD26018	SCREW	1	
21	RHN90001	NUT	4	
22	RMR1181-K	BUTTON COVER	1	
24	XTB3+20JFZ	SCREW	7	
25	XTB3+8JFZ	SCREW	8	
A1	RJA0019-X	AC POWER SUPPLY CORD	1	(E) (EG)
Δ				
A1	RJA0053-2X	AC POWER SUPPLY CORD	1	(EB)
Δ				
A2	RQA0117	WARRANTY CARD	1	
A3	RQCB0169	SERVICENTER LIST	1	
A4	RQT4663-E	INSTRUCTION MANUAL	1	(E) <IA>
A4	RQT4664-R	INSTRUCTION MANUAL	1	(E) <IB>
A4	RQT4665-D	INSTRUCTION MANUAL	1	(EG) <IC>

Ref. No.	Part No.	Part Name & Description	Pcs	Remarks
A4	RQT4666-H	INSTRUCTION MANUAL	1	(EG) <ID>
A4	RQT4667-B	INSTRUCTION MANUAL	1	(EB) <IE>
C401	ECEA1VKA4R7B	35V 4.7U	1	
C402,03	ECBT1E103ZF	25V 0.01U	2	
C404	ECEA1VKA4R7B	35V 4.7U	1	
C405	ECBT1H102KB5	50V 1000P	1	
C407-22	ECBT1H101KB5	50V 100P	16	
C425-28	RCE1CKA100BG	16V 10U	4	
C451,52	ECEA1VKA4R7B	35V 4.7U	2	
C455,56	ECBT1H102KB5	50V 1000P	2	
C457,58	RCE1AKA330BG	10V 33U	2	
C459,60	ECQB1H223JF3	50V 0.022U	2	
C461,62	ECQB1H682JF3	50V 6800P	2	
C463,64	ECEA1VKA4R7B	35V 4.7U	2	
C465,66	ECBT1E103ZF	25V 0.01U	2	
C467,68	ECBT1H181KB5	50V 180P	2	
C471,72	RCE1HKA3R3BG	50V 3.3U	2	
C475,76	ECBT1H101KB5	50V 100P	2	
C477,78	ECBT1H221KB5	50V 220P	2	
C479,80	ECBT1H560J5	50V 56P	2	
C481,82	ECEA1VKA4R7B	35V 4.7U	2	
C483,84	ECEA1HKS010	50V 1U	2	
C485,86	ECFR1E123KR	25V 0.012U	2	
C487,88	ECQV1H683JM3	50V 0.068U	2	
C489,90	ECQB1H392JF3	50V 3900P	2	
C491,92	ECFR1E273KR	25V 0.027U	2	
C495,96	ECBT1E103ZF	25V 0.01U	2	
C518	ECBT1E103ZF	25V 0.01U	1	
C561,62	ECBT1H102KB5	50V 1000P	2	
C601,02	ECEA1EKN3R3B	25V 3.3U	2	
C603,04	ECBT1H271KB5	50V 270P	2	
C605,06	ECEA1CK3220	16V 22U	2	
C607,08	ECR1H100K5	50V 10P	2	
C609,10	ECBT1H102KB5	50V 1000P	2	
C611-14	ECQV1H104JM3	50V 0.1U	4	
C615	ECEA1HN100SB	50V 10U	1	
C616	ECEA1HKA330B	50V 33U	1	
C621-24	ECQB1H153JF3	50V 0.015U	4	
C625	ECBT1H271KB5	50V 270P	1	
C626	ECEA0JKS101	6.3V 100U	1	
C627	ECBT1E223ZF	25V 0.022U	1	
C628	RCE1CKA470BG	16V 47U	1	
C629,30	ECQV1H473JM3	50V 0.047U	2	
C702	ECQE2104KF3	250V 0.1U	1	
C703,04	ECEA1HU332UE	50V 3300U	2	
Δ				
C707,08	ECEA1EKA470B	25V 47U	2	
C711	ECBT1H271KB5	50V 270P	1	
C753	ECA1EM102	25V 1000U	1	
Δ				
C756	ECKR1H103ZF5	50V 0.01U	1	
C757	RCE1CKA470BG	16V 47U	1	
C758	RCE1AKA101BG	10V 100U	1	
C759,60	RCE1CM102BV	16V 1000U	2	
Δ				
C775	ECBT1C392KR5	16V 3900P	1	
C801	ECBT1C103NS5	16V 0.01U	1	
C803	ECBT1C103NS5	16V 0.01U	1	
C804	ECA0JM102	6.3V 1000U	1	
C805	RCE1HKAR47BG	50V 0.47U	1	
C806	ECEA1HKS2R2	50V 2.2U	1	
CN601	RJU057W007	CONNECTOR (7P)	1	
CN701	RJS1A6606	CONNECTOR (6P)	1	
CN751-55	RJS1A1101T1	CONNECTOR (1P)	5	
CN757	SJS305-1	CONNECTOR (3P)	1	(E, EG)
CN757	SJS702-2	CONNECTOR (7P)	1	(EB)
CN901-05	RJU003K008M1	CONNECTOR (8P)	5	

Ref. No.	Part No.	Part Name & Description	Pcs	Remarks
R707,08 △	ERDS1FJ561	1/2W 560	2	
R722-24 △	ERDS1FJ271	1/2W 270	3	
R725	ERDS2FJ153	1/4W 15K	1	
R751	ERDS2FJ122	1/4W 1.2K	1	
R752	ERDS2FJ473	1/4W 47K	1	
R753,54	ERG18J331	1W 330	2	
R756	ERDS2FJ102	1/4W 1K	1	
R757,58 △	ERDS1FJ6R8	1/2W 6.8	2	
R801	ERDS2FJ103	1/4W 10K	1	
R803	ERDS2FJ103	1/4W 10K	1	
R805,06	ERDS2FJ103	1/4W 10K	2	
R807	ERDS2FJ104	1/4W 100K	1	
R808-10	ERDS2FJ103	1/4W 10K	3	
R811	ERDS2FJ821	1/4W 820	1	
R812	ERDS2FJ102	1/4W 1K	1	
R813	ERDS2FJ122	1/4W 1.2K	1	
R814	ERDS2FJ152	1/4W 1.5K	1	
R815	ERDS2FJ182	1/4W 1.8K	1	
R817	ERDS2FJ221	1/4W 220	1	
R818-20	ERDS2FJ561	1/4W 560	3	
R822	ERDS2FJ821	1/4W 820	1	
R823	ERDS2FJ102	1/4W 1K	1	
R825	ERDS2FJ473	1/4W 47K	1	
R826	ERDS2FJ181	1/4W 180	1	
R827	ERDS2FJ331	1/4W 330	1	
R828	ERDS2FJ102	1/4W 1K	1	
R829	ERDS2FJ103	1/4W 10K	1	
R830	ERDS2FJ472	1/4W 4.7K	1	
RL601,02 △	RSY0013-0	RELAY	2	
RL751 △	RSY0015M-0	RELAY	1	
S401	ESB68047	SW	1	
S801-06	EVQ21405R	SW	6	
S807	RSP2B026-A	SW	1	
S808,09	EVQ21405R	SW	2	
T1 △	RTP2M5B005	POWER TRANSFORMER	1	(E,EG)
T1 △	RTP2M5E001	POWER TRANSFORMER	1	(EB)
VR471,72	EVJYA1F04C15	V.R. BASS TREBLE	2	
VR501	RRV16B05B15A	V.R. VOLUME	1	
VR502	EVJ02QF04G15	V.R. BALANCE	1	
X801	EF0EC4004T4	OSCILLATOR	1	



Note : We do not supply those items of parts marked * .

Ref. No.	Part No.	Part Name & Description	Pcs	Remarks
14	RGU0887A-K1	BUTTON	1	
15	RGU0889-K	BUTTON	1	
16	RGU1038A-K	BUTTON	1	
17	RGU1685-K	BUTTON	1	
18	RGW0177A-K	STONE KNOB	3	
19	RHD26017	SCREW	11	

Ref. No.	Part No.	Part Name & Description	Pcs	Remarks
20	RHD26018	SCREW	1	
21	RHN90001	NUT	4	
22	RMR1181-K	BUTTON COVER	1	
24	XTB3+20JFZ	SCREW	7	
25	XTB3+8JFZ	SCREW	8	

